

● **General Specifications**

- ⊙ Material -----Frame:Plastics (Flammability:UL94V-0)  
Impeller:Plastics (Flammability:UL94V-0)
- ⊙ Lead Wire-----+ Red - Black (Sensor) Yellow (Control) Brown  
UL 1061 AWG#26 OR Equivalent
- ⊙ Storage Temperatur--- -30℃ ~ +70℃ (Non-condensing)
- ⊙ Bearing Type----- Ball Bearings Sleeve
- ⊙ Speed Range----- ±10%
- ⊙ Part Numbering System

SFD-FB0612HA- **B R 1**

Waterproof level:0=no,1=IP55,2=IP68

Sensor: 0=no,R=RD sensor ,F=FG sensor ,P=PWM sensor ,T=Temperature sensor

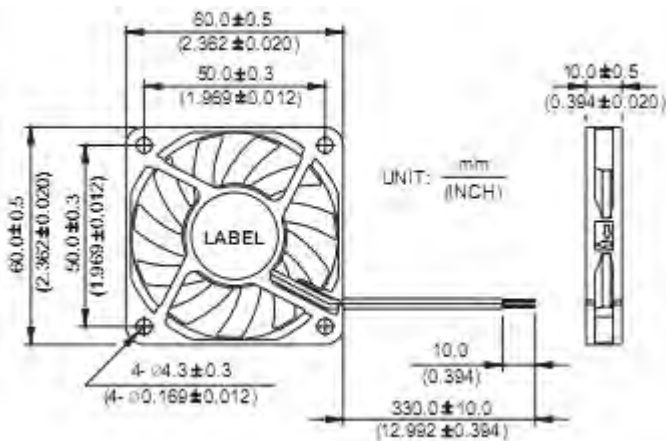
Bearing:S=sleeve bearing,B=ball bearing,Y=superflo bearing



**60 X 60 X 10 mm ( Mass: 26g)**

Model No.	Rated Voltage	Operating Voltage	Rated Current	Rated Input	Speed	Maximum Air Flow		Max.Static Pressure		Noise
	VDC	VDC	AMP	Watt		R.P.M	M3/min	CFM	MmH2O	
SFD-FB00612LA	12	7.5~13.2	0.08	0.96	3000	0.373	13.25	1.61	0.060	25.5
SFD-FB00612MA			0.09	1.09	3600	0.432	15.34	2.28	0.088	29
SFD-FB00612HA			0.13	1.56	4200	0.501	17.87	3.31	0.126	33.5
SFD-FB00612HHA			0.19	2.28	4800	0.592	20.2	4.22	0.164	37

● **Dimensions(unit:mm/inch)**



● **Air Flow-Static Pressure Characteristics**

