

SFD-FB 6025

● **General Specifications**

- ⊙ Material ----- Frame:Plastics (Flammability:UL94V-0)
Impeller:Plastics (Flammability:UL94V-0)
- ⊙ Lead Wire ----- + Red - Black (Sensor) Yellow (Control) Brown
- ⊙ Life time -----25000 Hours Sleeve bearing
50000 Hours Ball bearing
- ⊙ Storage Temperatur--- -30℃ ~ +70℃ (Non-comdensing)
- ⊙ Bearing Type----- Ball Bearings Sleeve
- ⊙ Speed Range----- ±10%
- ⊙ Part Numbering System

SFD-FB0612HH- B R 1

Waterproof level:0=no,1=IP55,2=IP68

Sensor: 0=no,R=RD sensor ,F=FG sensor ,P=PWM sensor ,T=Temperature sensor

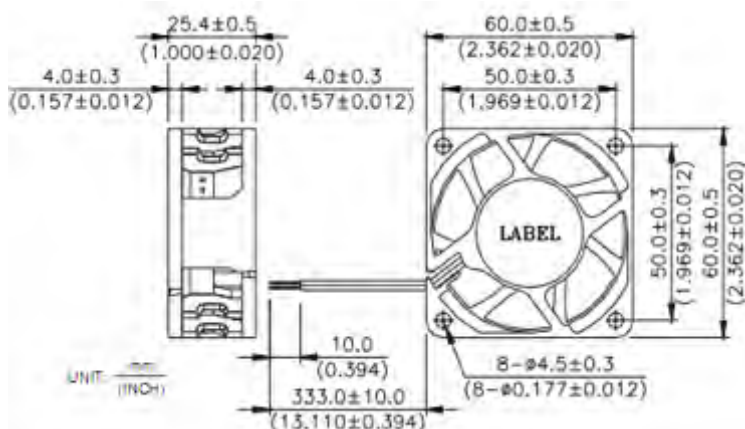
Bearing:S=sleeve bearing,B=ball bearing,Y=superflo bearing,L=long life bearing



60 X 60 X 25 mm (Mass: 65g)

Model No.	Rated Voltage	Operating Voltage	Rated Current	Rated Input	Speed	Maximum Air Flow		Max.Static Pressure		Noise
	VDC	VDC	AMP	Watt	R.P.M	M3/min	CFM	MmH2O	IN H2O	dB-A
SFD-FB0612L	12	7.5~13.2	0.10	1.2	3200	0.476	16.81	2.86	0.113	27
SFD-FB0612M			0.16	1.92	3800	0.560	19.78	3.93	0.155	32
SFD-FB0612H			0.19	2.28	4450	0.662	23.35	5.35	0.211	35
SFD-FB0612HH			0.20	2.4	5200	0.780	27.55	7.47	0.294	41
SFD-FB0612VH			0.27	3.24	5700	0.863	30.48	8.76	0.345	44
SFD-FB0612SH			0.33	3.96	6200	0.967	34.15	10.73	0.422	46
SFD-FB0612EH			0.45	5.4	6900	1.086	38.35	13.81	0.544	48.5
SFD-FB0624L	24	14.5~27.5	0.07	1.68	3200	0.476	16.81	2.86	0.113	27
SFD-FB0624M			0.08	1.92	3800	0.560	19.78	3.93	0.155	32
SFD-FB0624H			0.10	2.4	4450	0.662	23.35	5.35	0.211	35
SFD-FB0624HH			0.13	3.12	5200	0.780	27.55	7.47	0.294	41
SFD-FB0624VH			0.16	3.84	5700	0.863	30.48	8.76	0.345	44
SFD-FB0624SH			0.19	4.56	6200	0.967	34.15	10.73	0.422	46
SFD-FB0648HH	48	21~55	0.11	5.28	5200	0.780	27.55	7.47	0.294	41
SFD-FB0648VH			0.13	6.24	5700	0.863	30.48	8.76	0.345	44

● **Dimensions(unit:mm/inch)**



● **Air Flow-Static Pressure Characteristics**

