

120mm AC FAN

CE RS

● General Specifications

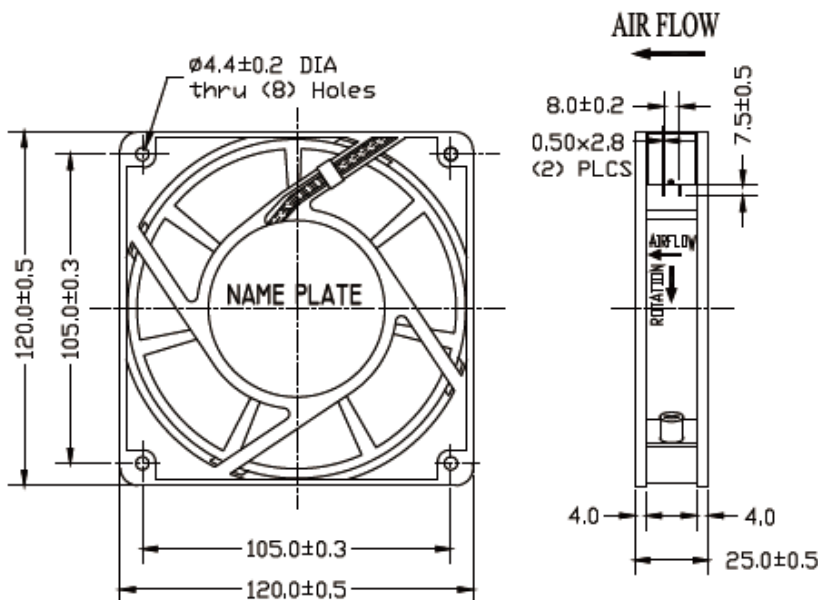
- ⌚ Material ----- Frame:Aluminum
Impeller:Plastics (Flammability:UL94V-0 rating)
- ⌚ Dielectric Strength ----- 50/60Hz 1500VAC 1minute
- ⌚ Life time -----15000 Hours Sleeve bearing
30000 Hours Ball bearing
- ⌚ Storage Temperatur--- -30℃ ~ +70℃ (Non-condensing)
- ⌚ Bearing Type----- Ball Bearings Sleeve
- ⌚ Speed Range----- ±10%
- ⌚ Part Numbering System
SFD-AC12025H 220 B - 1
- Waterproof level:1=IP55,2=IP68
- Bearing:S=sleeve bearing,B=ball bearing
- AC Voltage: 110=100-125V、220=220-240V



120 X 120 X 25mm (Mass:360g)

Model No.	Voltage (v)	Frequency (HZ)	Rated Current (A/MP)	Rated Input (Watt)	Speed (R.P.M)	Maximum Air Flow		Max.Static Pressure		Noise (dB-A)
	VAC					M3/min	CFM	mmH2O	IN H2O	
SFD-AC12025L110B	100~125	50 /60	0.11/0.13	13/14	1750/1850	1.35/1.41	48/50	2.67/2.79	0.102/0.11	29/30
SFD-AC12025L220B	220~240		0.04/0.05	13/14	1750/1850	1.35/1.41	48/50	2.67/2.79	0.102/0.11	29/30
SFD-AC12025M110B	100~125		0.15/0.16	15/16	1950/2050	1.59/1.67	57/59	2.98/3.21	0.118/0.127	34/35
SFD-AC12025M220B	220~240		0.06/0.07	15/16	1950/2050	1.59/1.67	57/59	2.98/3.21	0.118/0.127	34/35
SFD-AC12025H110B	100~125		0.18/0.19	18/19	2200/2400	1.87/2.22	66/78.5	3.57/4.08	0.138/0.157	38/40
SFD-AC12025H220B	220~240		0.08/0.09	18/19	2200/2400	1.87/2.22	66/78.5	3.57/4.08	0.138/0.157	38/40

● Dimensions(unit:mm/inch)



● Air Flow-Static Pressure Characteristics

