

120mm AC FAN

CE RS

● General Specifications

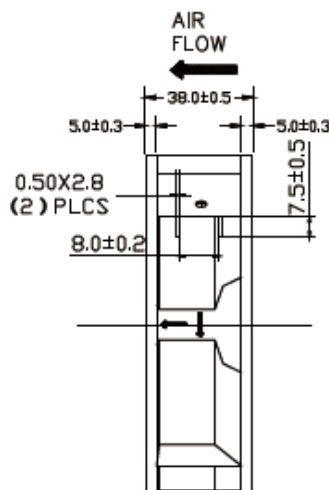
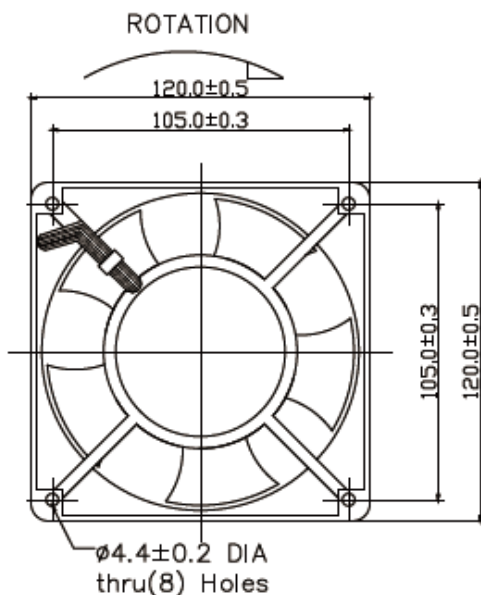
- ⌚ Material ----- Frame:Aluminum
Impeller:Plastics (Flammability:UL94V-0 rating)
- ⌚ Dielectric Strength ----- 50/60Hz 1500VAC 1minute
- ⌚ Life time -----15000 Hours Sleeve bearing
30000 Hours Ball bearing
- ⌚ Storage Temperatur--- -30℃ ~ +70℃ (Non-condensing)
- ⌚ Bearing Type----- Ball Bearings Sleeve
- ⌚ Speed Range----- ±10%
- ⌚ Part Numbering System
SFD-AC12038H 220 B - 1
- Waterproof level:1=IP55,2=IP68
- Bearing:S=sleeve bearing,B=ball bearing
- AC Voltage: 110=100-125V、220=220-240V 380=380V



120 X 120 X 38mm (Mass535g)

Model No.	Voltage (v)	Frequency HZ	Rated Current A/MP	Rated Input Watt	Speed R.P.M	Maximum Air Flow		Max.Static Pressure		Noise dB-A
	VAC					M3/min	CFM	mmH2O	IN H2O	
SFD-AC12038L110B	100~125	50 /60	0.12/0.14	10.5/12	1800/2000	1.94/2.1	68/74	3.75/4.1	0.148/0.161	29/30
SFD-AC12038L220B	220~240		0.07/0.08	10.5/12	1800/2000	1.94/2.1	68/74	3.75/4.1	0.148/0.161	29/30
SFD-AC12038M110B	100~125		0.15/0.17	14/16	2200/2400	2.2/2.42	78/86	4.51/4.92	0.139/0.197	35/37
SFD-AC12038M220B	220~240		0.08/0.09	14/16	2200/2400	2.2/2.42	78/86	4.51/4.92	0.139/0.197	35/37
SFD-AC12038H110B	100~125		0.18/0.22	18/21	2550/2900	2.73/3.38	96/118	6.68/8.02	0.264/4.78	40/45
SFD-AC12038H220B	220~240		0.11/0.12	19/20	2550/2900	2.73/3.38	96/118	6.68/8.02	0.264/4.78	40/45
SFD-AC12038H380B	380		0.06	18	2550	2.73	97	6.68	0.266	40
SFD-AC12038M380B	380		0.05	12	2400	2.42	86	4.92	0.194	36.5

● Dimensions(unit:mm/inch)



● Air Flow-Static Pressure Characteristics

